

Integrated UPS Power System with Cisco IE3200

Ventev's Integrated UPS Power System with Cisco IE3200 is an industrial IoT networking and data solution that combines Ventev's industry-leading UPS power system with Cisco's secure, fixed, full-Gigabit industrial switching platform to enable Smart City and IoT applications, and easily extend the enterprise in any location.

The NEMA 3R UPS power system offers a 480W power budget with up to 275W for PoE/PoE+, shared across eight ports, to connect PoE-powered devices such as IP cameras, phones, access points, sensors, and more. 205W can be used for a highly modular router that makes it an ideal solution for remote asset management and future radio upgrades.

The system provides up to 45 minutes of backup power at max load in the event of a power outage to support IoT applications such as security, monitoring, and edge computing storage.

Warranty: Five-year limited warranty on complete system.

Ventev support: One-year Ventev support for Cisco software and advanced hardware replacement.

For more information or to purchase, contact Ventev: 800.851.4965 or sales@ventev.com.

Specifications

Input Power	90 to 264VAC 60Hz, 8 amp.
Output Power	Eight PoE+(802.3at) output ports, 30@54VDC Peak/Port
Gigabit PoE	10/100/1000 PoE/PoE+ ports
Fiber Ports	100/1000 SFP-based ports
Output Voltage	System: 53.6Vdc @ 480W (max. power). Cisco IE3200: 25.5W PoE+ on 8-ports. UL 508 approved Industrial Power Supply.
Battery Backup	2-stage charger with sealed lead acid batteries. Auto switchover to stand-by battery when AC fails.
Backup Time	45 min. @ 275W, max. load for Cisco IE3200 (four 7Ahr battery)
System Protections	Low Voltage Disconnect: Inc. (cutoff voltage 10.5, reconnect voltage 12.5), overload, over voltage (auto-recovery), over temperature (auto-recovery after temp goes down)
Terminal Blocks	AC with knife switch, DC for 48V with knife switch and ground
Temperature Range	-30C to +45C (-22F - +113F) Includes temperature consideration for the battery(s)
Dimensions	18" H x 16" W x 10" D (inside dimensions)
Enclosure	NEMA 3R Polycarbonate, solid hinged lid with louvered vents, rain shields, latch locks, 75 CFM 48Vdc fan. Includes Pole Mount Kit, SKU 339837.
Enclosure Ports	Two ports (1x AC input power, 1x data cable), eight IP-67 ports with caps for RJ45 I/O
Antenna	LTE/GPS omnidirectional antenna (ONLY in VP-148A1-07132-1.) Two 2dBi LTE antennas (698~960/1710~2170MHZ), one 4.5dBi GPS antenna (1575MHZ)
Weight	55 lbs. (including battery weight)



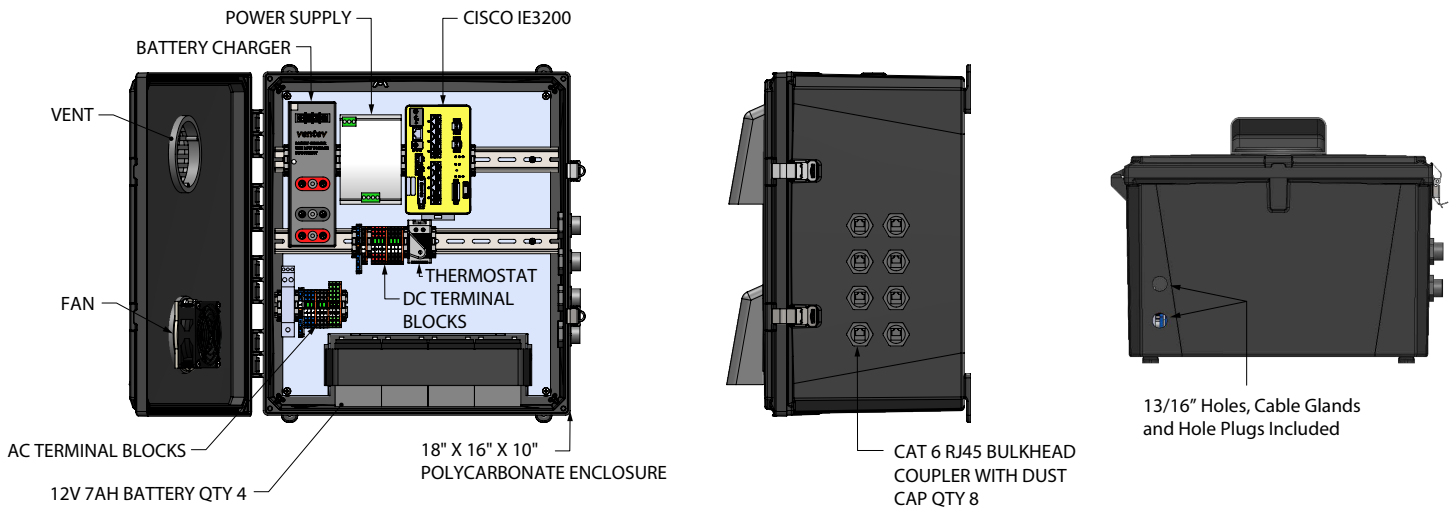
Tessco SKU: 264289 | Product Number: VP-148A1-07132-0
Tessco SKU: 232728 (with IR1101) | Product Number: VP-148A1-07132-1

Features

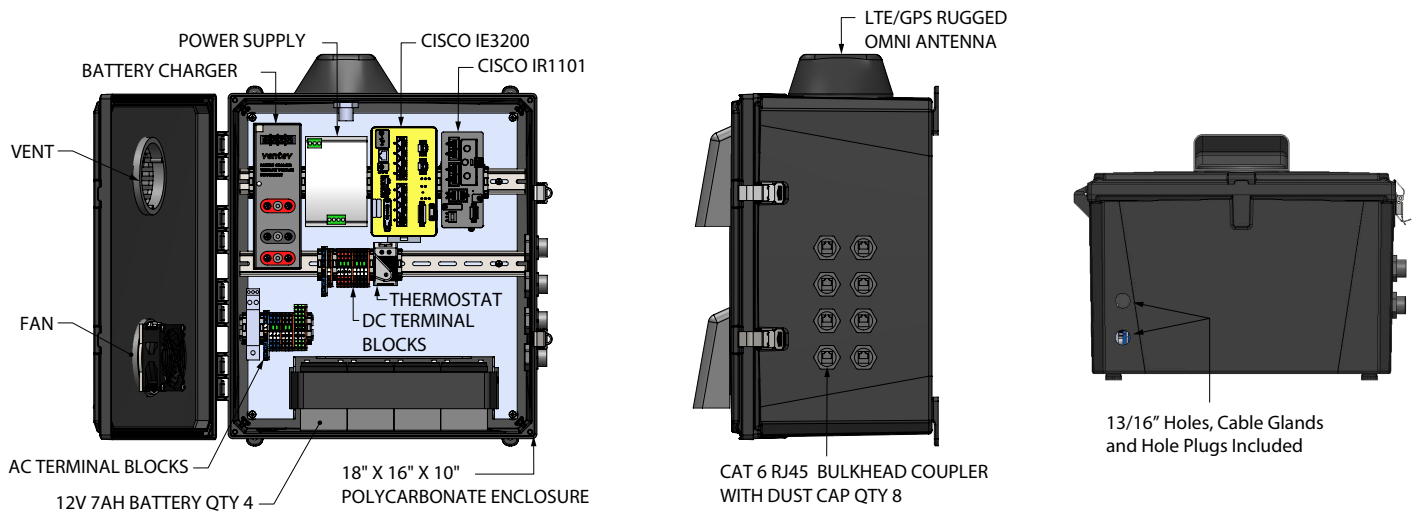
- Fully integrated with a Cisco device, the plug-and-play system minimizes field installation errors and significantly decreases deployment time and cost while making the network more reliable.
- Cisco devices come standard with Cisco Network Essential license. IR1101 comes with LTE-US module.
- Remotely configurable, eliminates the need for on-site configuration by an engineer.
- Includes I/O alarm for monitoring and signaling to external equipment.
- Expansion module for IR1101 can be added for dual active LTE, local storage for applications, SFP, and input/output ports.
- Includes a 5-year limited warranty and one year Ventev support to cover Cisco software and hardware. Optional 2-and 4-year Ventev support is available for purchase.

Enclosure Description	Ventev P/N	SKU
UPS System with Cisco IE3200 Switch (Cisco Switch Model# IE-3200-8P25-E)	VP-148D1-07132-0	264289
UPS System with Cisco IE3200 Switch & IR1101 Router (Cisco Switch Model# IE-3200-8P25-E)	VP-148D1-07132-1	232728
(Cisco Router Model# IR1101-K9 with cat4 LTE module for US)		
AC/DC Power System with Cisco IE3200 Switch (Cisco Switch Model# IE-3200-8P25-E)	VP-148A1-00132-0	261875
AC/DC Power System Only (Cisco Switch NOT included)	VN183151-3	203994
Additional Accessories		
Replacement batteries Yuasa 7Ahr	NP7-12	532518
1" dia. RJ45 compatible cable glands	RJ-45FT	362226
1" dia. hole plugs	1/2-NEMA-PLUG	344873

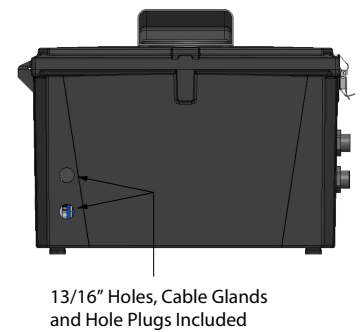
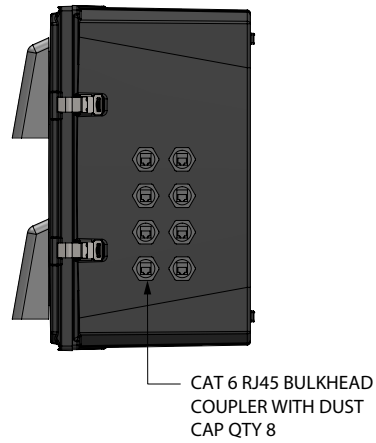
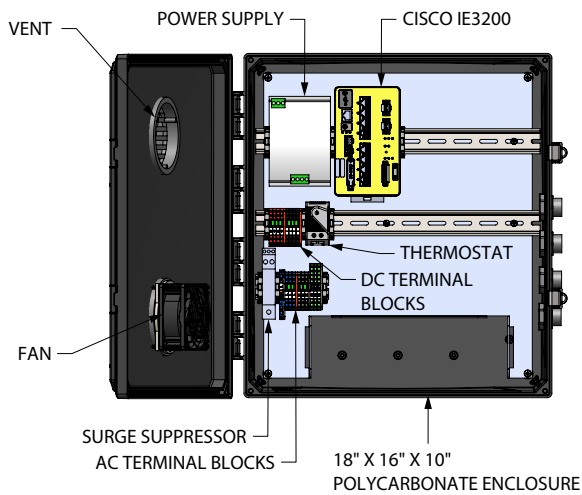
Integrated UPS Power System with Cisco IE3200 | Tessco SKU 264289



Integrated UPS Power System with Cisco IE3200 & IR1101 | Tessco SKU 232728



AC/DC Power System with Cisco IE3200 | Tessco SKU 261875



AC/DC Power System Only (Cisco Switch NOT included) | Tessco SKU 203994

